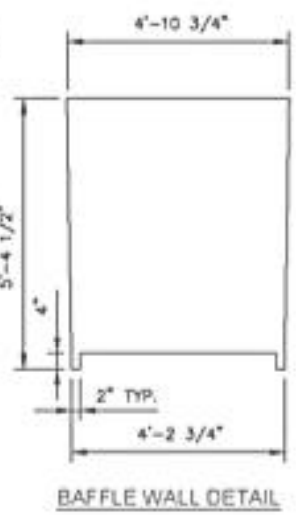
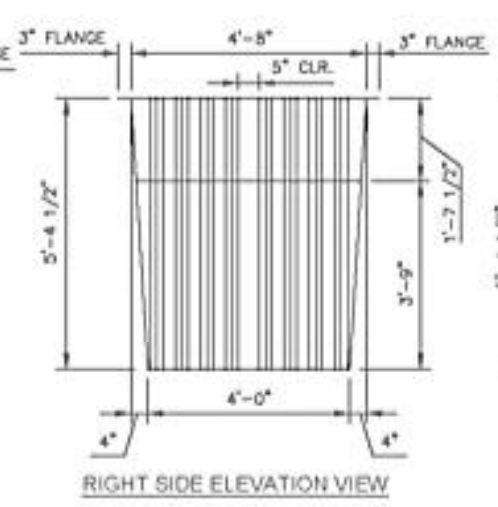
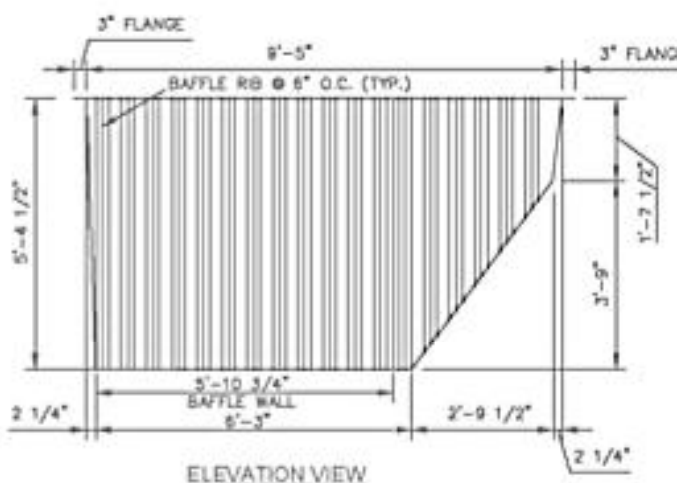


- NOTES:
1. ALL WALL THICKNESSES TO BE 5/16".
 2. BAFFLE RIBS TO BE AT 6" SPACING MAX.
 3. TOLERANCES: ±1/2"



MATERIAL SPECIFICATIONS

AQUAKLEAR
WASTEWATER TREATMENT SYSTEM
MODEL AK1000 FF
NOT TO SCALE