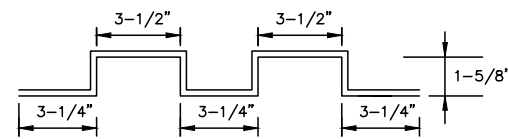


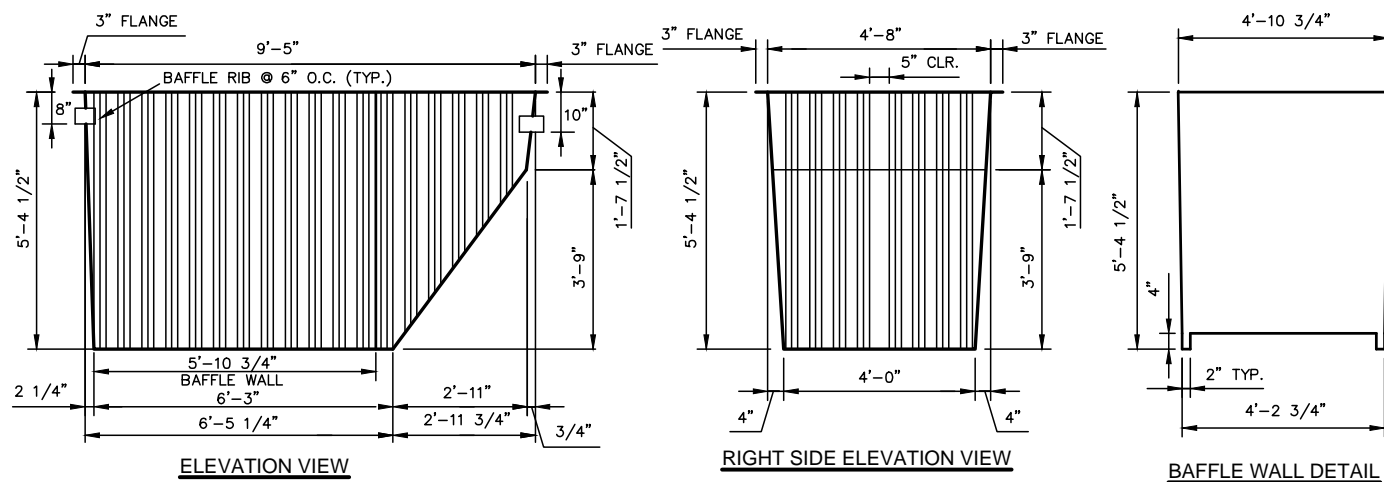
PLAN VIEW W/OUT COVER

PLAN VIEW OF COVER



TOP RIB DETAIL

- NOTES:**
1. ALL WALL THICKNESSES TO BE 5/16".
 2. BAFFLE RIBS TO BE AT 6" SPACING MAX.
 3. TOLERANCES: ±1/2"

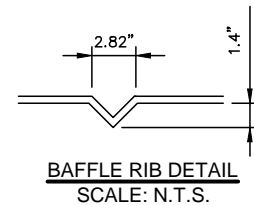


ELEVATION VIEW

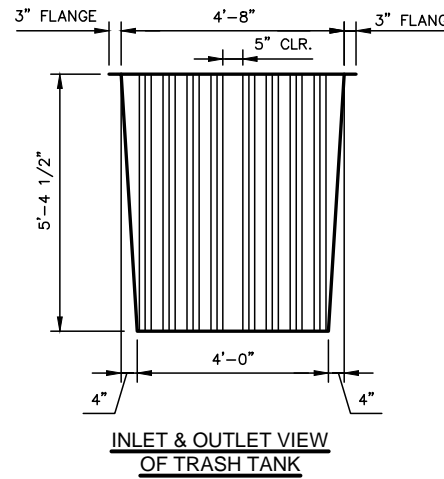
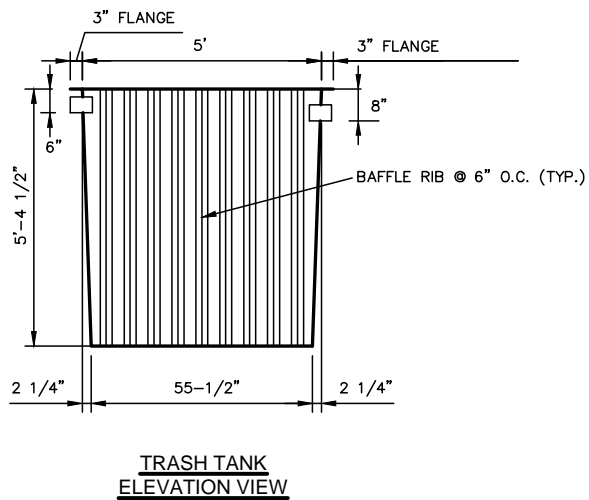
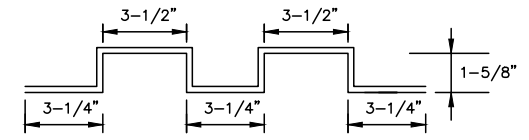
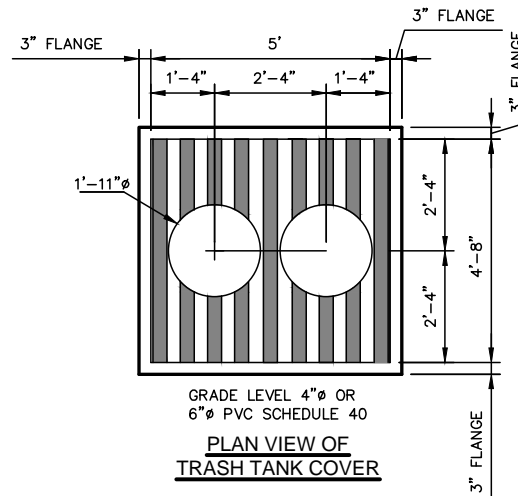
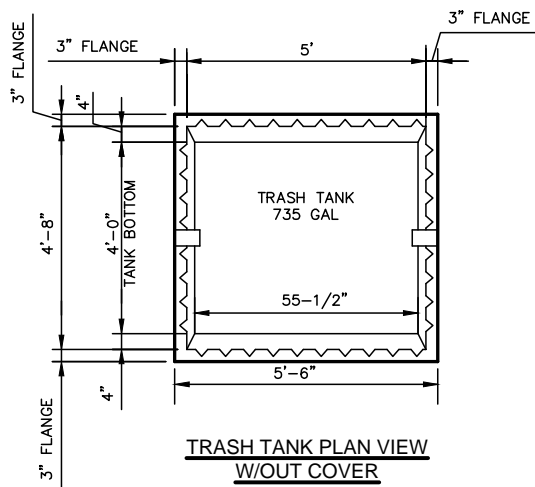
RIGHT SIDE ELEVATION VIEW

BAFFLE WALL DETAIL

MATERIAL SPECIFICATIONS



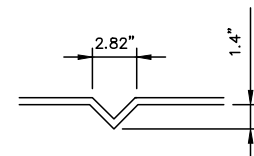
AQUAKLEAR
WASTEWATER TREATMENT SYSTEM
 MODEL AK10S245F
 PAGE 1 OF 2 NOT TO SCALE



NOTES:

1. ALL WALL THICKNESSES TO BE 5/16".
2. BAFFLE RIBS TO BE AT 6" SPACING MAX.
3. TOLERANCES: $\pm 1/2$ "

MATERIAL SPECIFICATIONS



AQUAKLEAR
WASTEWATER TREATMENT SYSTEM

MODEL AK10S245F

PAGE 2 OF 2

NOT TO SCALE