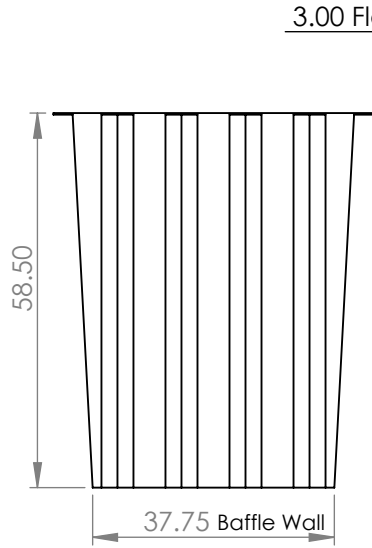
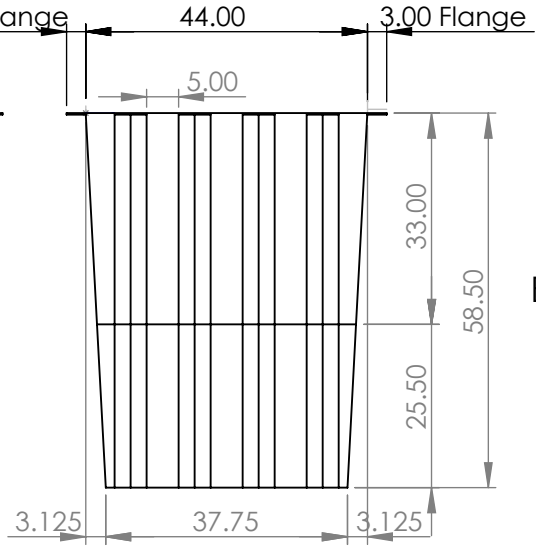


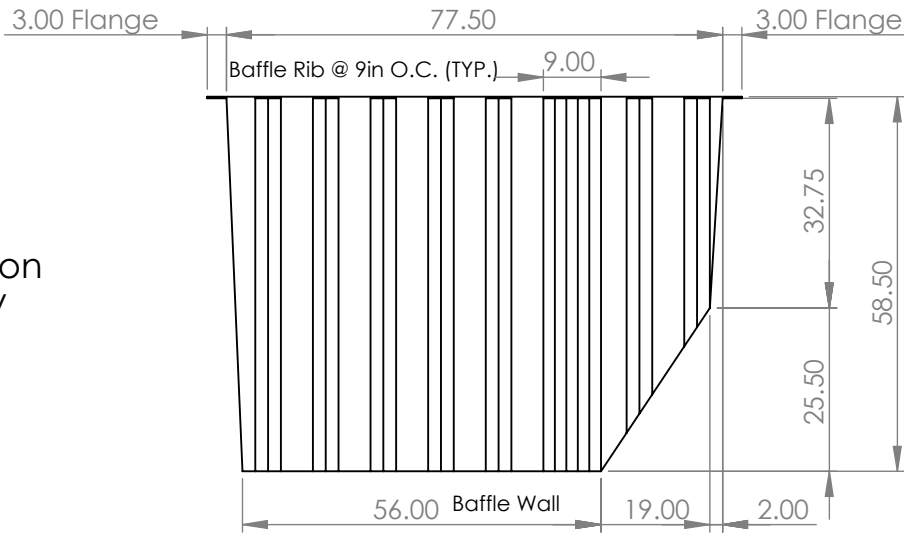
Side Elevation View



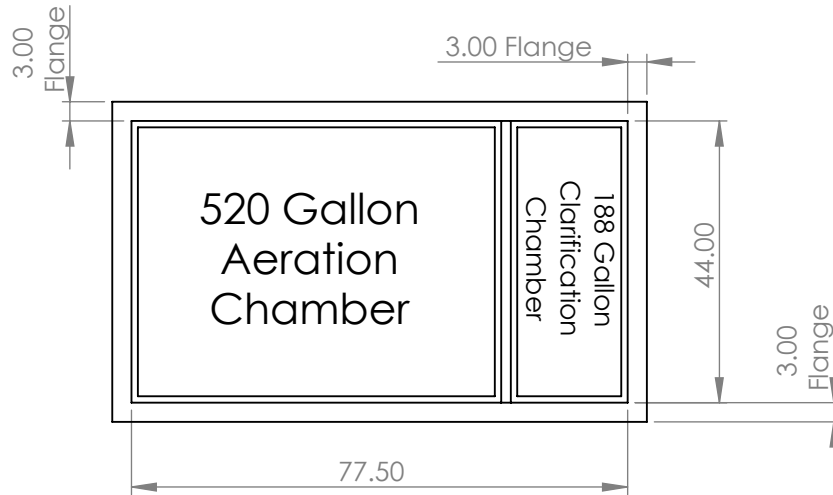
End Elevation View




Side Elevation View



Top Elevation View



UNLESS OTHERWISE SPECIFIED: DIMENSIONS ARE IN INCHES SURFACE FINISH: Smooth TOLERANCES: +/- .25in LINEAR: +/- .25in ANGULAR: +/- .25in			FINISH: Smooth		DEBURR AND BREAK SHARP EDGES		DO NOT SCALE DRAWING		REVISION	
							Company		Better Than Septic® (844) 224-2782 AquaKlear of California	
							TITLE:		 <b>AK500F</b>	
DRAWN			SIGNATURE		DATE					
CHK'D			MAC		9/04/15				A4	
APPV'D										
MFG										
Q.A							MATERIAL: Fiberglass			
							WEIGHT:		SCALE: !:30	
									SHEET 1 OF 1	