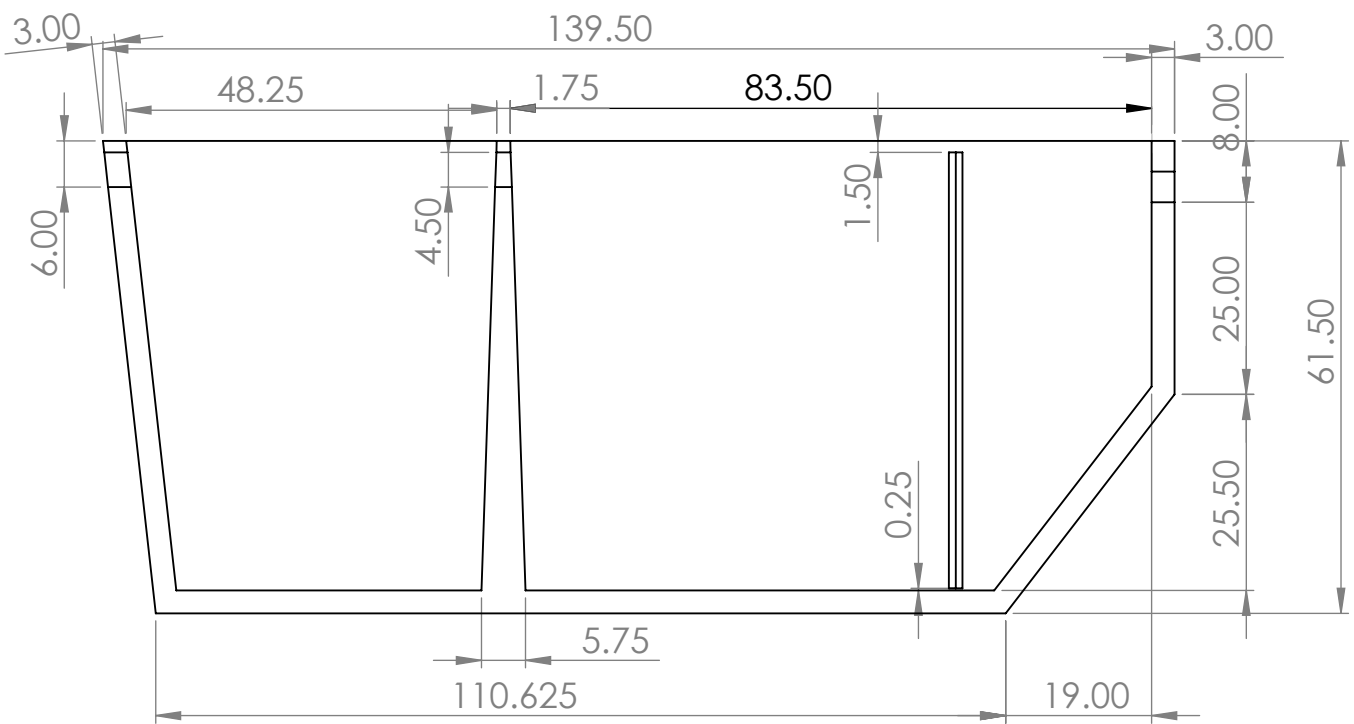
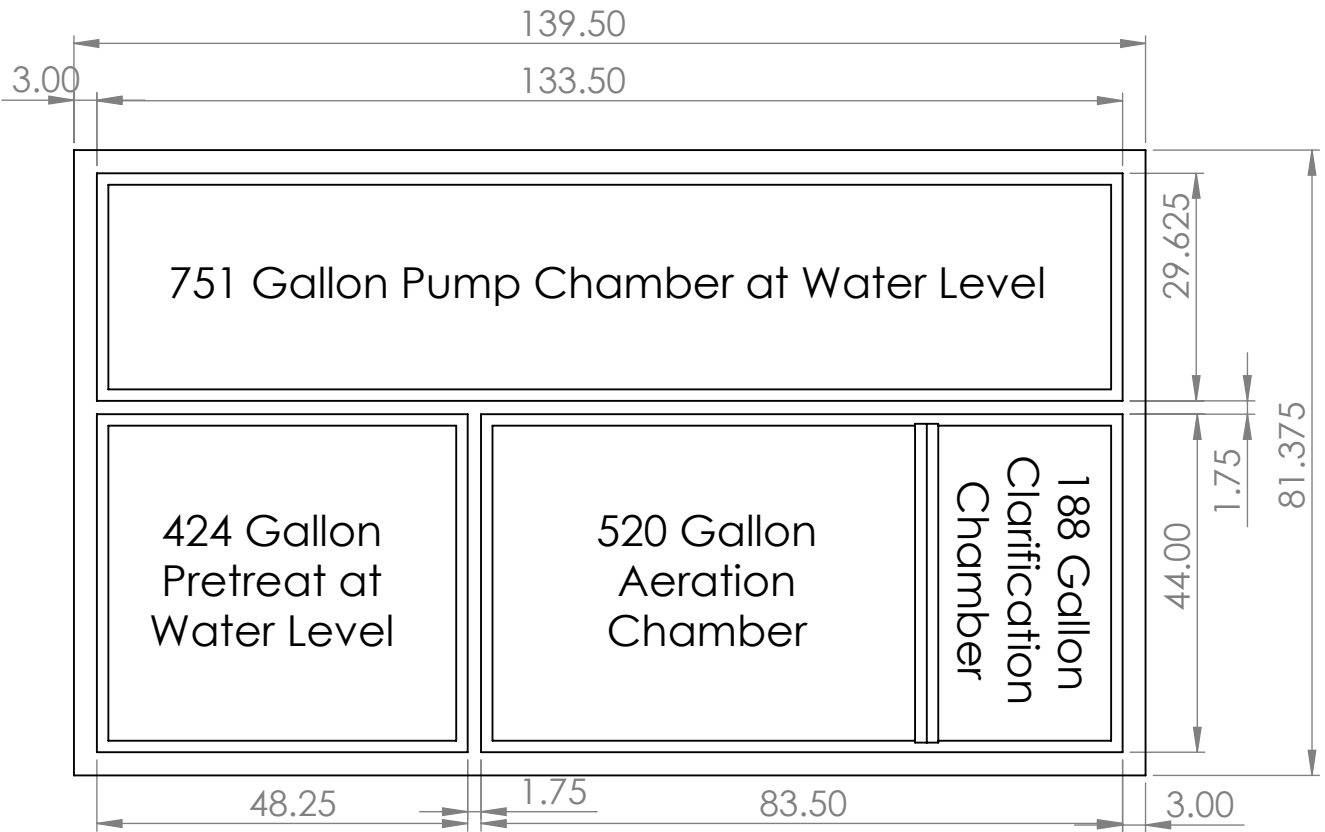



4

3

2

1



UNLESS OTHERWISE SPECIFIED: DIMENSIONS ARE IN INCHES SURFACE FINISH: Smooth TOLERANCES: +/- .25in LINEAR: +/- .25in ANGULAR: +/- .25in			FINISH: Smooth		DEBURR AND BREAK SHARP EDGES		DO NOT SCALE DRAWING		REVISION	
							Company		Better Than Septic® (844) 224-2782 AquaKlear of California	
							TITLE:		AK5B3C 	
							MATERIAL: Concrete		Tank Drawing	
							WEIGHT:		SCALE: !:25	
									SHEET 1 OF 1	

NAME	SIGNATURE	DATE
DRAWN Marc A Cardinal	MAC	9/04/15
CHK'D		
APPV'D		
MFG		
Q.A		

A4