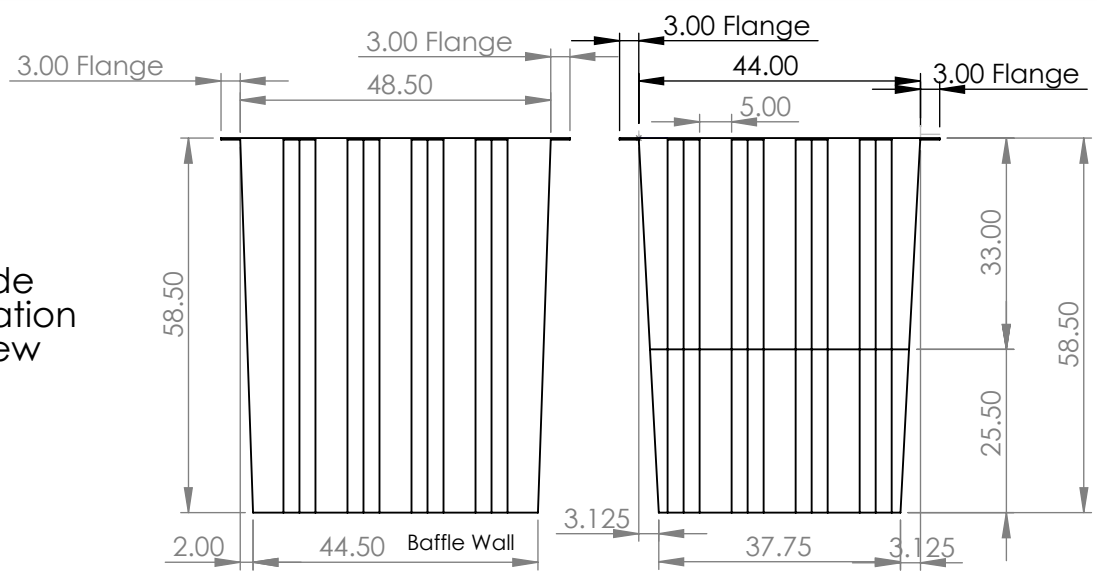
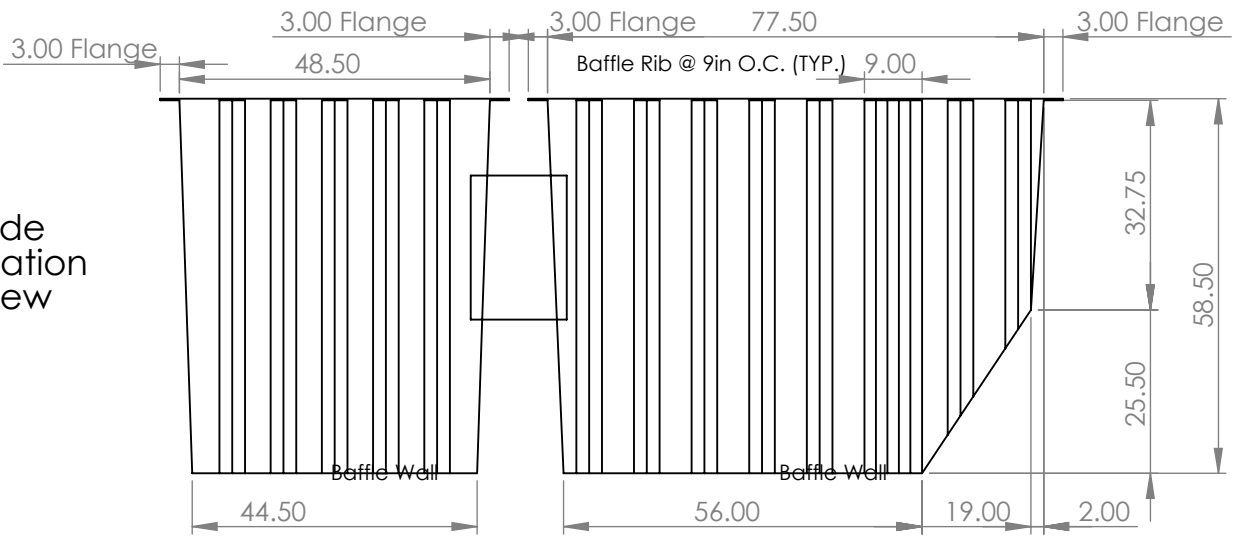


Side Elevation View

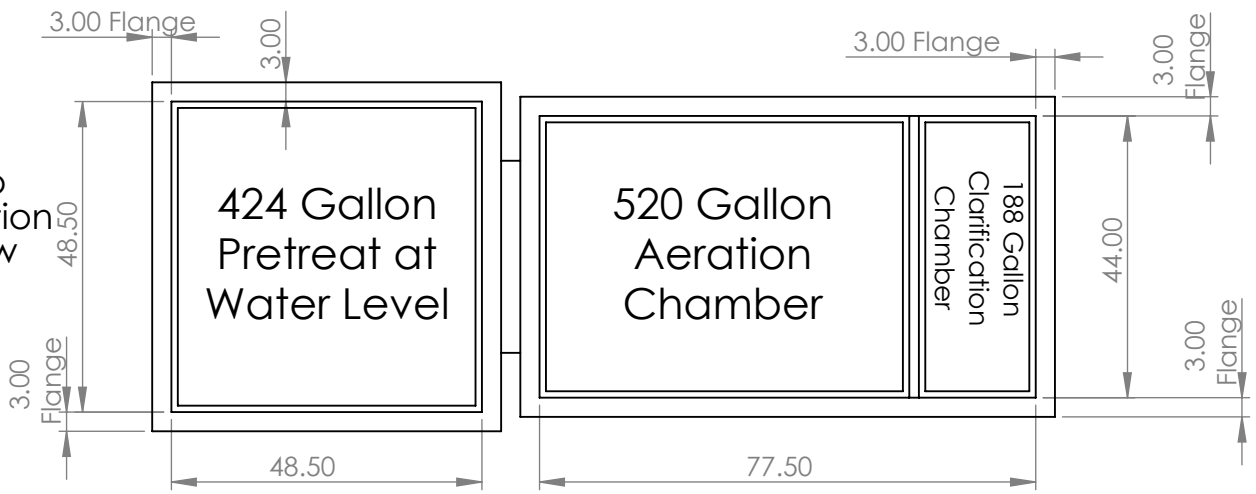



End Elevation View

Side Elevation View



Top Elevation View



UNLESS OTHERWISE SPECIFIED: DIMENSIONS ARE IN INCHES SURFACE FINISH: Smooth TOLERANCES: +/- .25in LINEAR: +/- .25in ANGULAR: +/- .25in			FINISH: Smooth		DEBURR AND BREAK SHARP EDGES		DO NOT SCALE DRAWING		REVISION	
							Company		Better Than Septic® (844) 224-2782 AquaKlear of California	
							TITLE:		 AK600F Tank Drawing	
NAME			SIGNATURE		DATE					
DRAWN			MAC		9/04/15					
CHK'D										
APPV'D										
MFG										
Q.A							MATERIAL: Fiberglass			
							WEIGHT:		SCALE: 1:30	
									SHEET 1 OF 1	